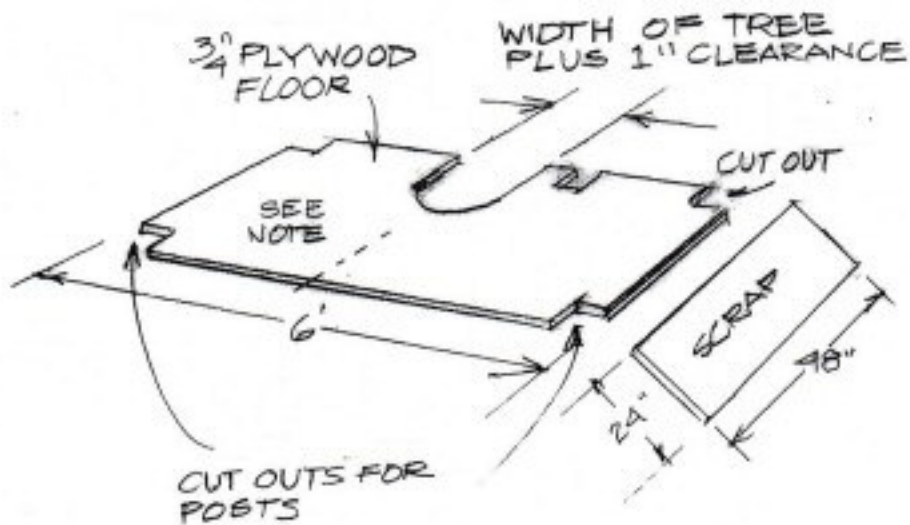
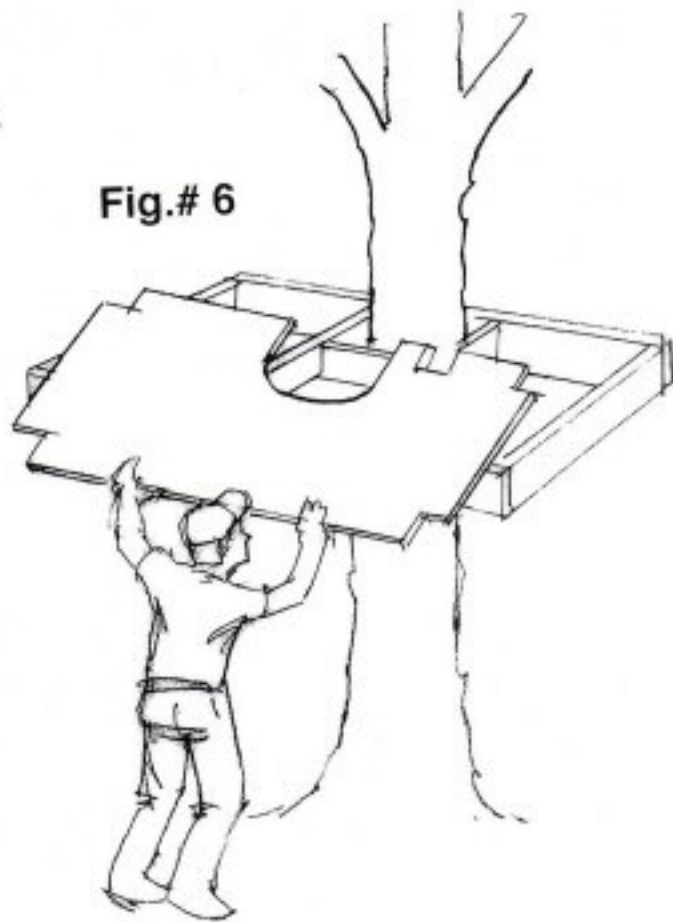


**Fig.# 5**



NOTE:  
THE PLYWOOD CAN BE CUT  
USING A HAND SAW BY CUTTING  
THE PANEL IN HALF

**Fig.# 6**



**Fig.# 7**

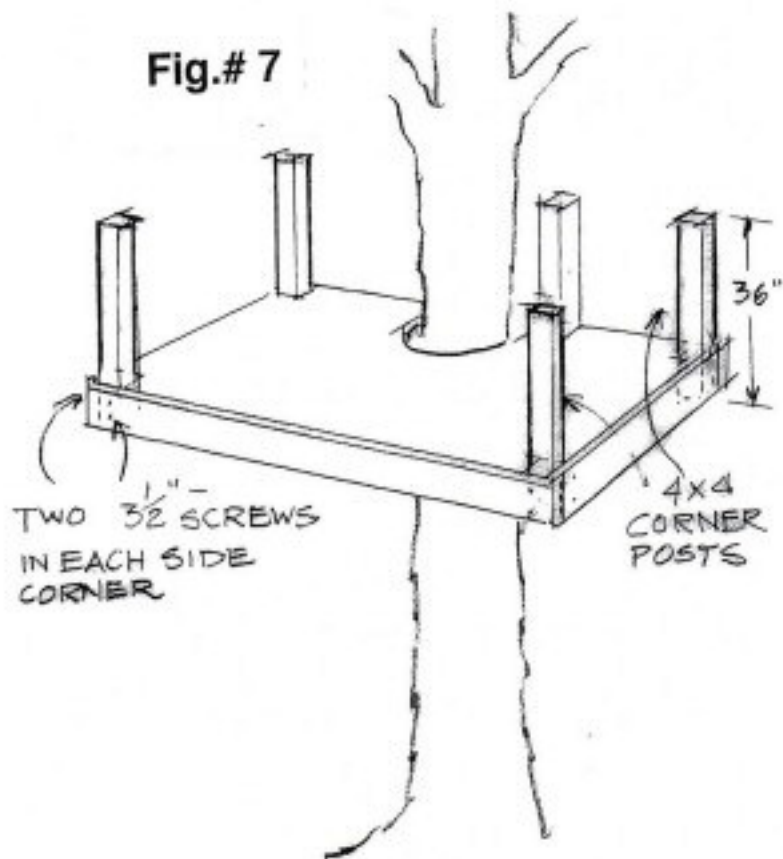


Fig.# 12

RAILING

